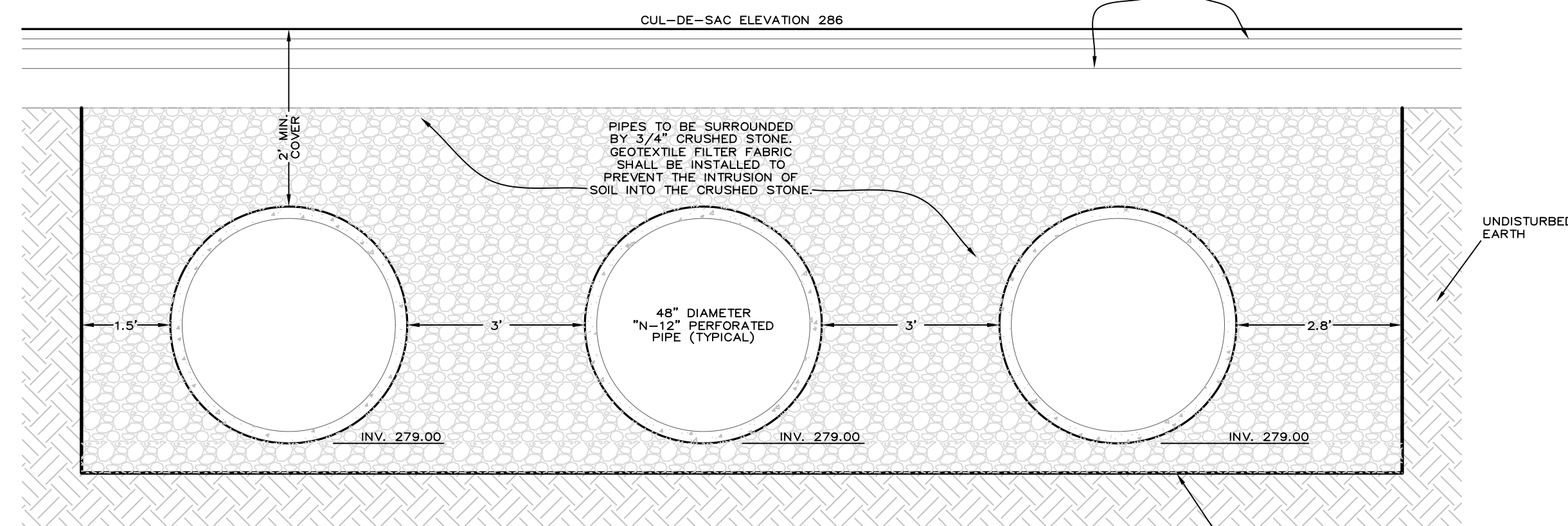
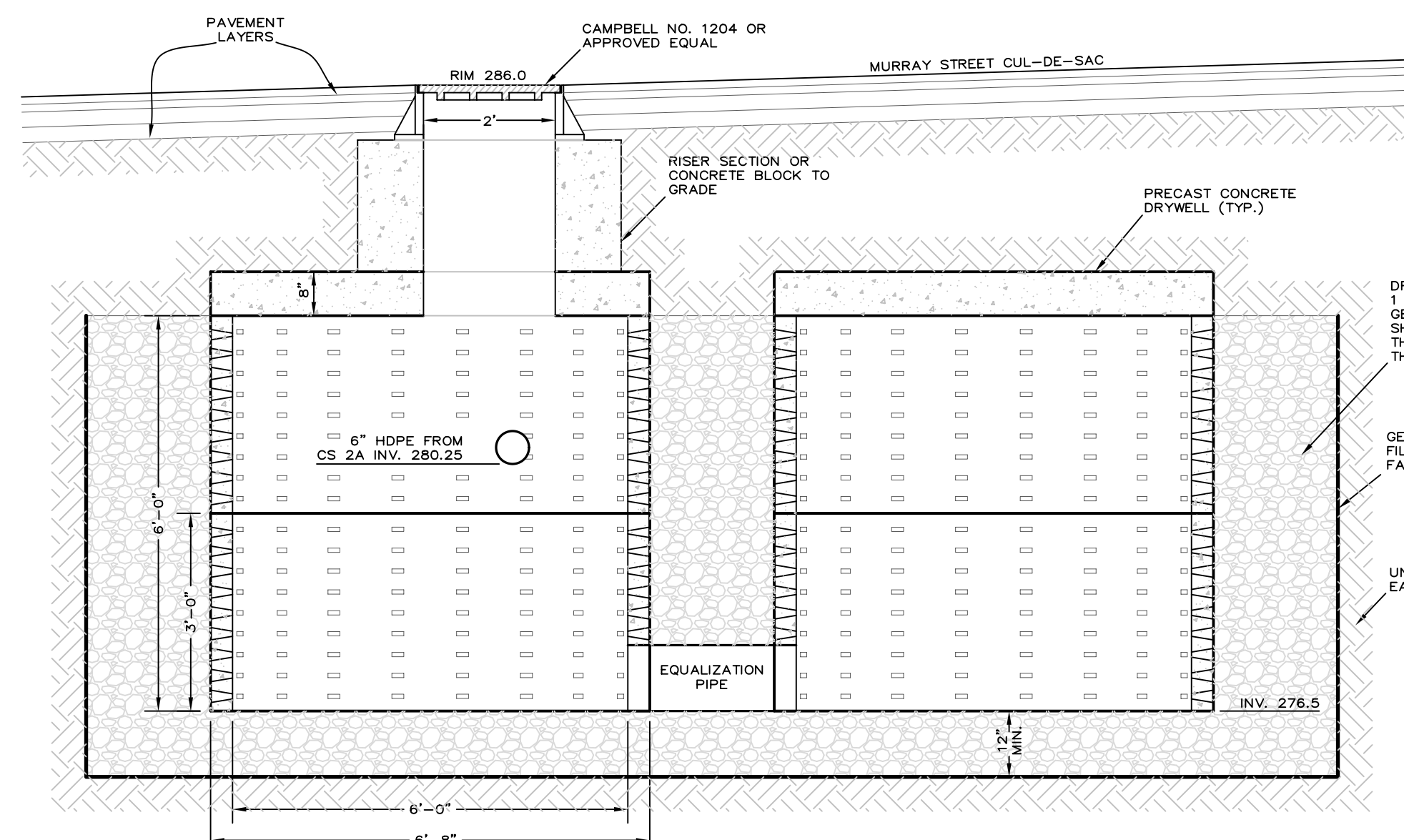


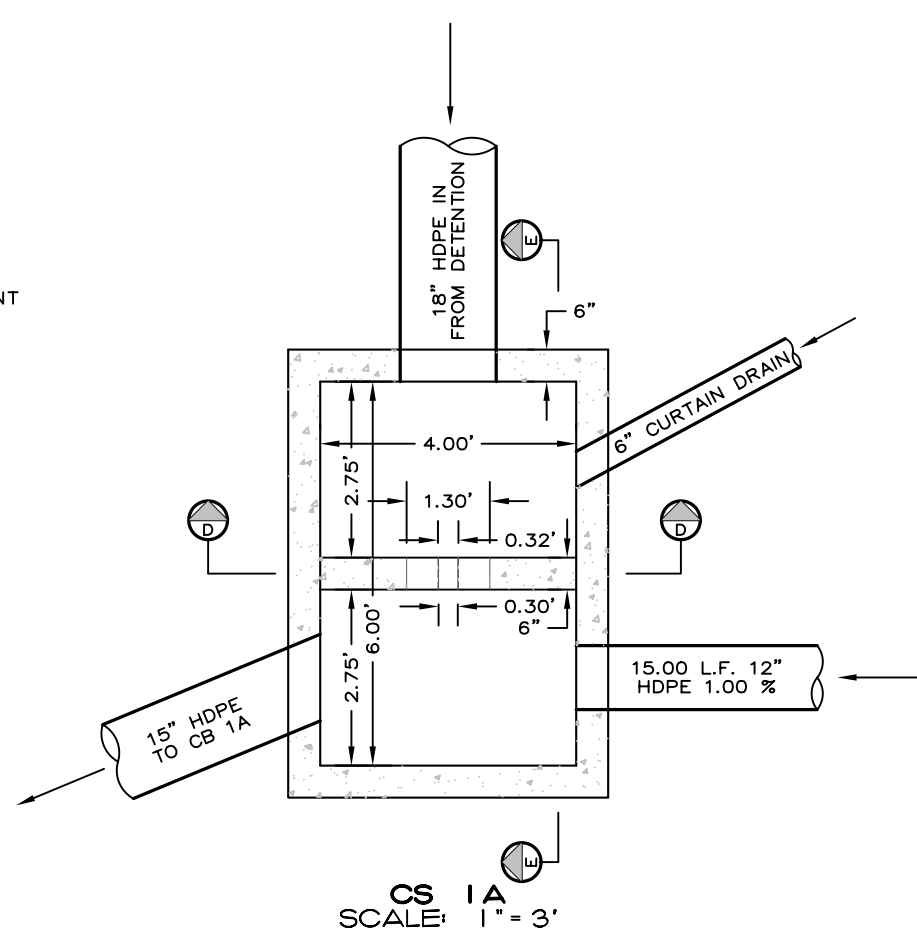
SECTION B-B
N.T.S.



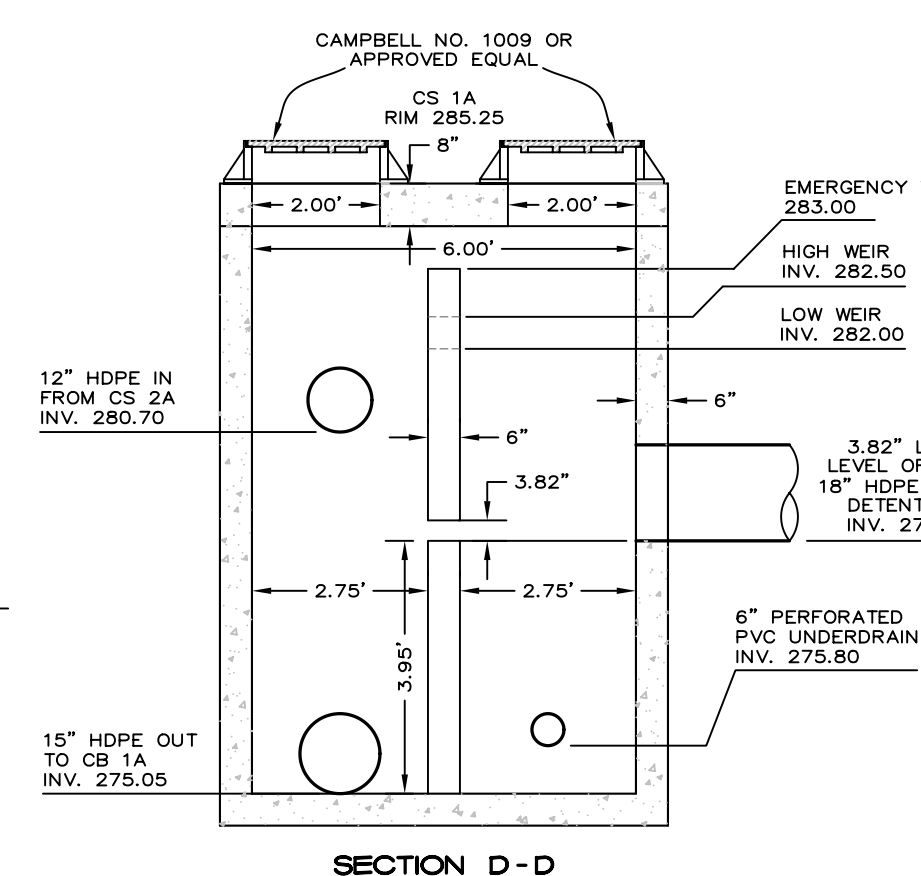
SECTION A-A
N.T.S.



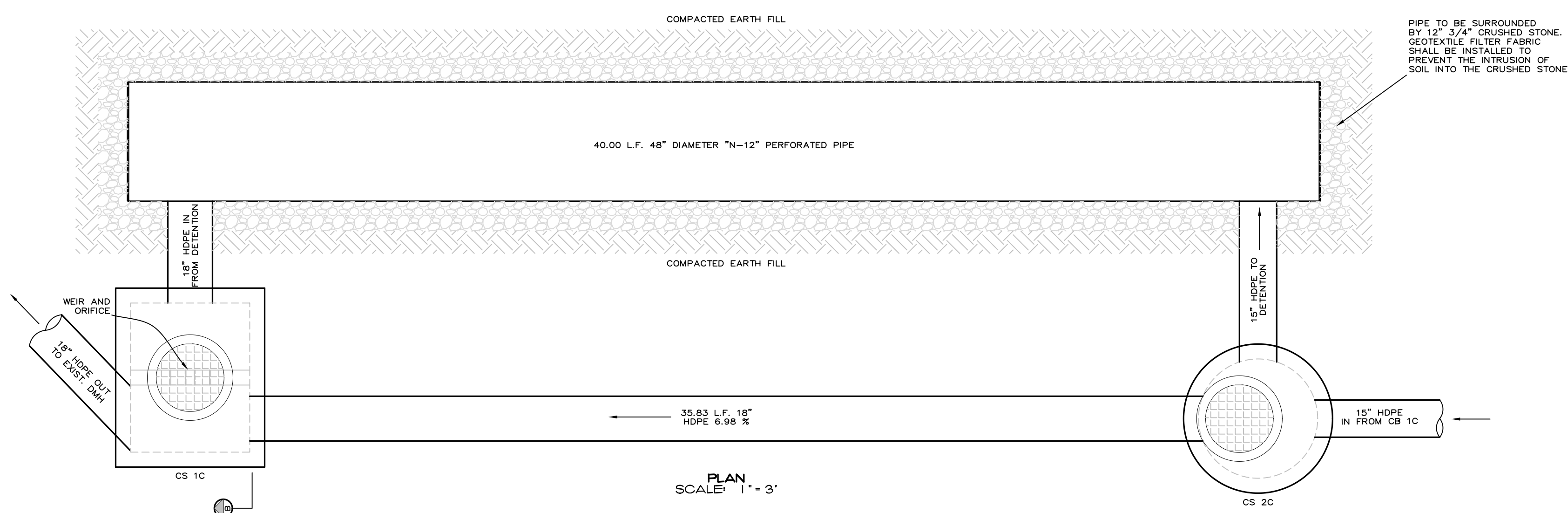
SECTION C-C
N.T.S.



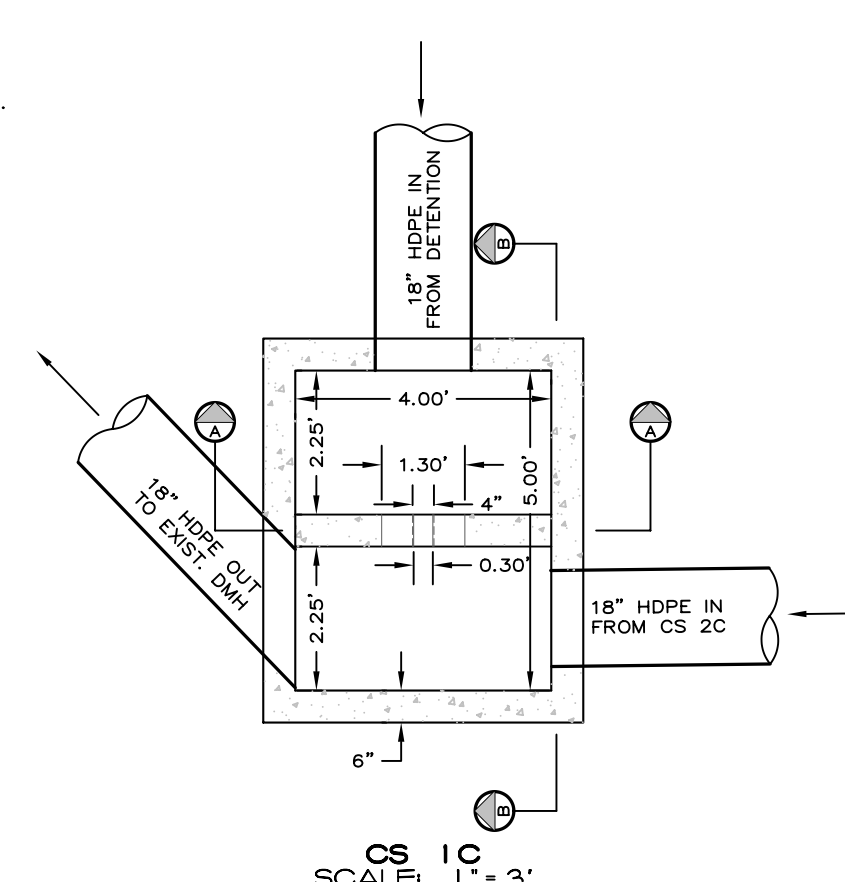
SECTION I-A
SCALE: 1/4" = 1'-3"



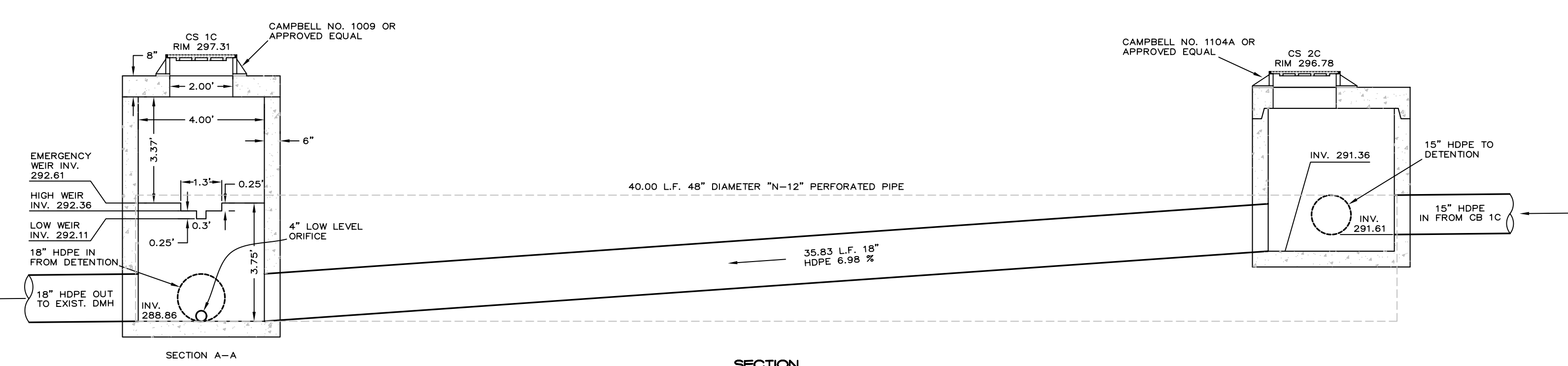
SECTION D-D
SCALE: 1/4" = 1'-3"



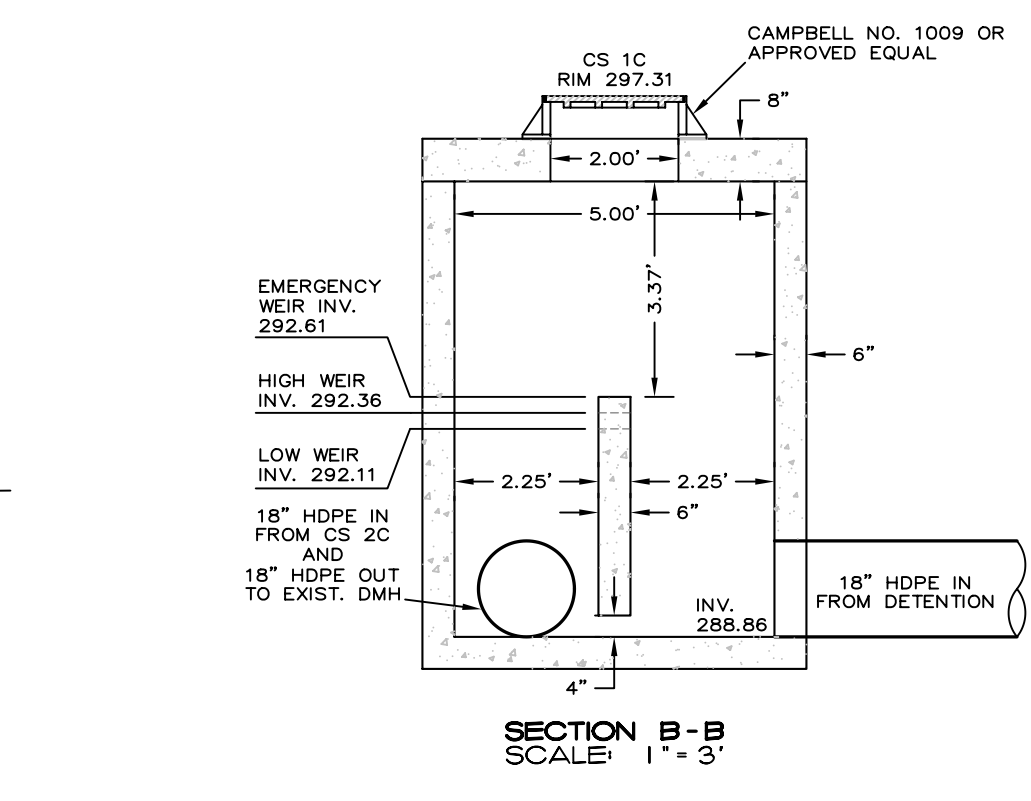
PLAN
SCALE: 1/4" = 1'-3"



SECTION I-C
SCALE: 1/4" = 1'-3"

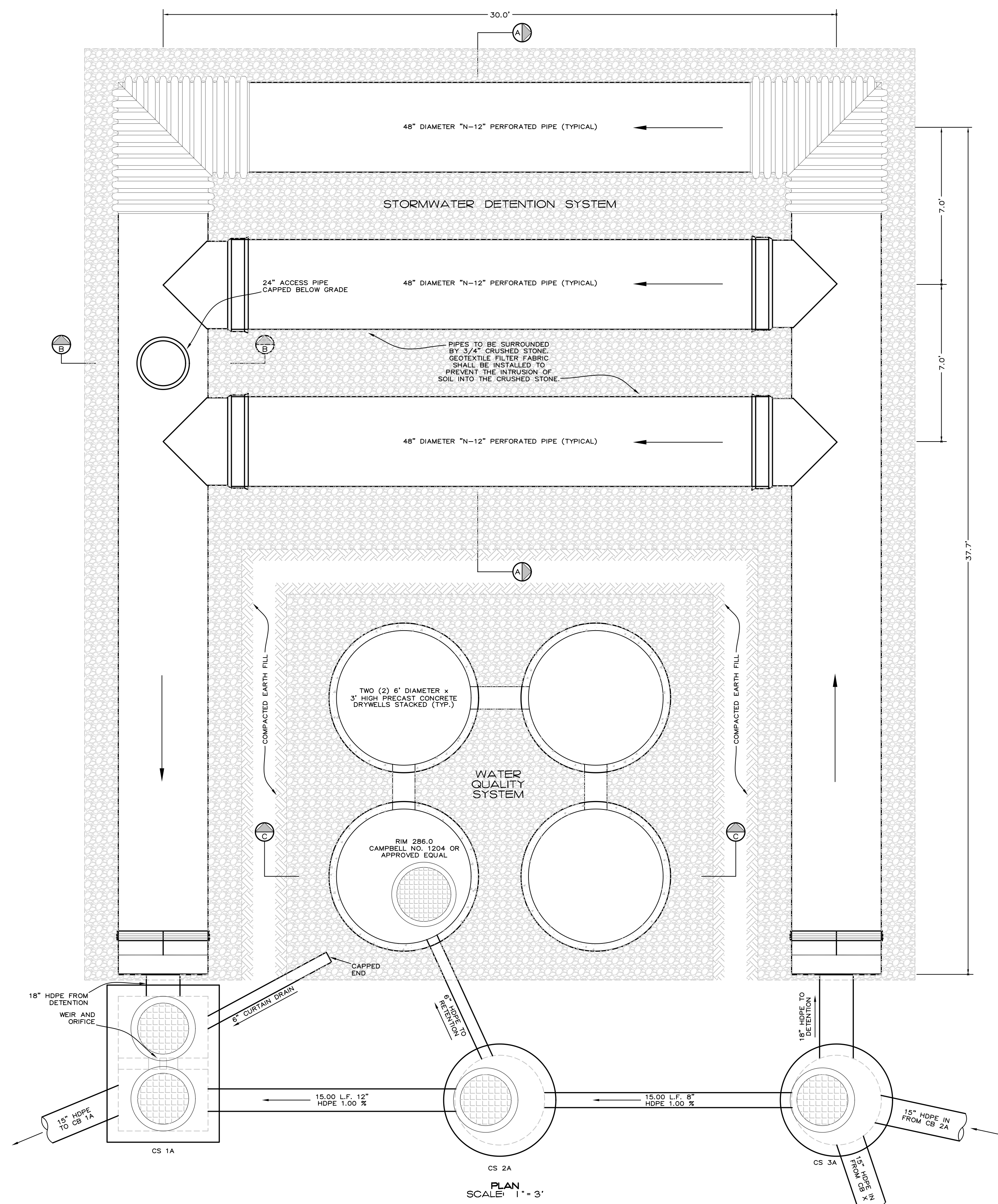


SECTION A-A
SCALE: 1/4" = 1'-3"

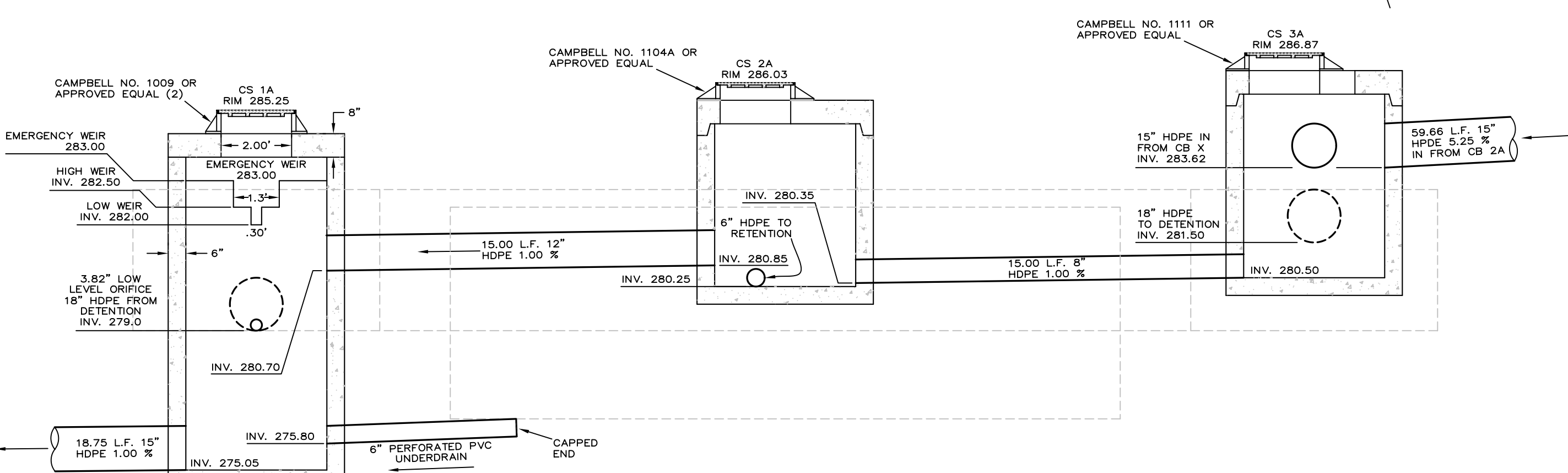


SECTION B-B
SCALE: 1/4" = 1'-3"

EAST STORMWATER SYSTEM



PLAN
SCALE: 1/4" = 1'-3"



SECTION E-E
SCALE: 1/4" = 1'-3"

SECTION E-E
SCALE: 1/4" = 1'-3"

EXTENSION BASIN SYSTEM

Extention Basin SYSTEMS
13 Dove Court, Croton-on-Hudson, NY 10520 1-800-897-7150
Integrated Stormwater Management Solutions

RALPH G. MASTROMONACO, P.E., P.C.
Consulting Engineers
13 Dove Court, Croton-on-Hudson, New York 10520
(914) 271-4762 (914) 271-2820 Fax

STORMWATER
DETENTION
DETAILS
SUBDIVISION
OF
VAN CORTLANDT
ESTATES
VILLAGE OF OSSINING
TOWN OF OSSINING
WESTCHESTER CO., NY
NOVEMBER 22, 2002
SHEET OF SHEETS